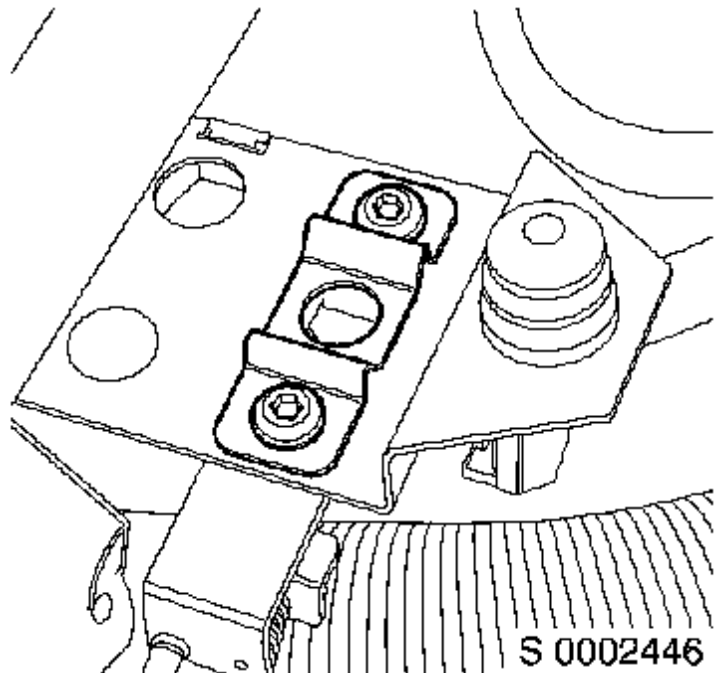


Latch, Front Bonnet, Replace

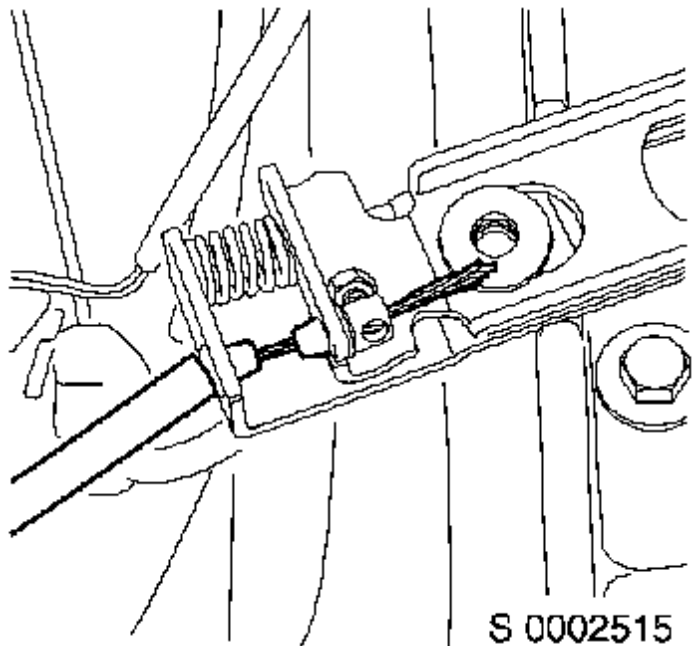


Remove

1. Release bonnet latch from retaining bracket
 - Remove 2x bolt, 2x washer

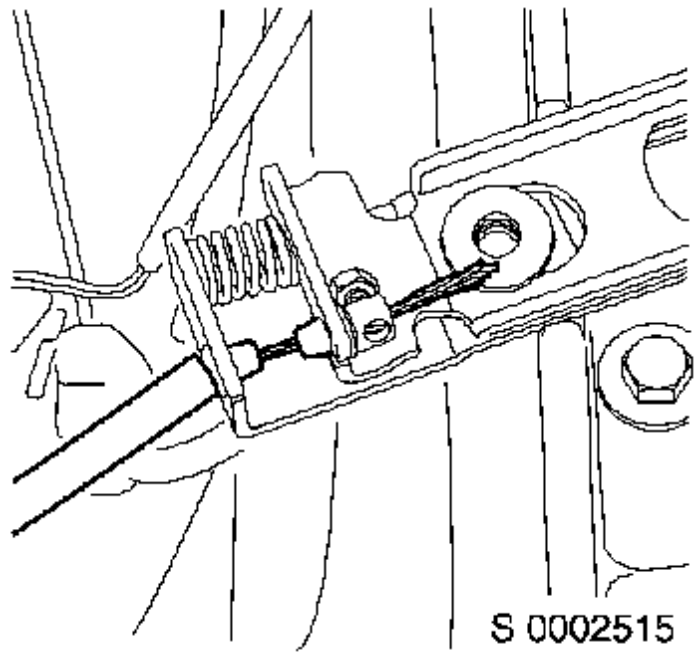


2. Remove bonnet latch
 - Release lock cable from bonnet latch
 - Remove 2x clip

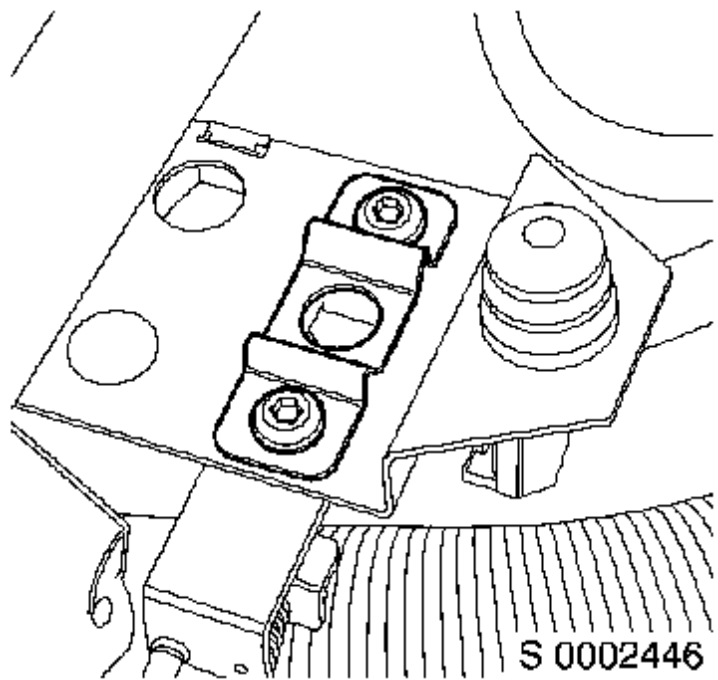


Install

3. Install new bonnet latch
 - Secure lock cable to bonnet latch
 - Install 2x clip



4. Secure bonnet latch to retaining bracket
 - Install 2x washer, 2x bolt



5. Align front bonnet